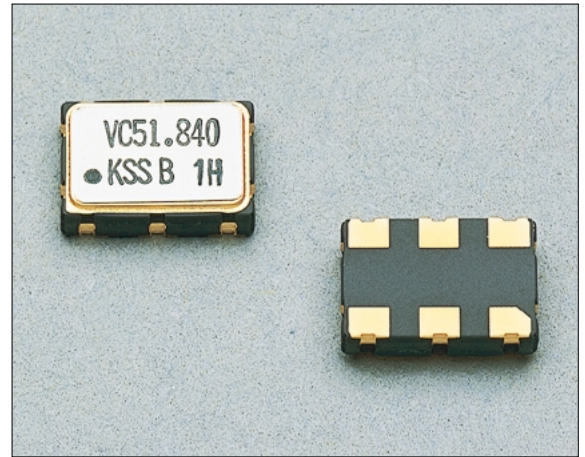


VCXO-7050/7050L

ブロードバンド対応超小型VCXO / Miniature VCXO Geared to Broadband

■特長 / Features

- 0.063ccの小形形状。(5×7×1.8mm)
- 1チップ HCMOS IC 使用。
- 3-ステート対応。
- APR ±50ppm又は100ppm対応可能。
- "Small Size" as small as 0.063cc. (5×7×1.8mm)
- Using 1 chip HCMOS IC.
- 3-state devices are available.
- APR (Absolute Pull Range) of up to ±50ppm or ±100ppm※2.



■標準用途 / Typical Applications

- Digital switching system
- ATM SDH
- SONET
- XDSL

■仕様 / Specifications

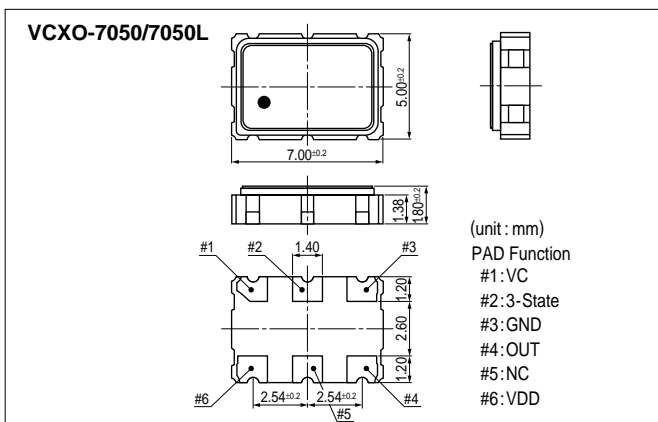
型名 Type	VCXO-7050	VCXO-7050L
周波数範囲 Frequency range	12.2880MHz to 80.0000MHz ※1	
APR (Absolute Pull Range)	±50×10 ⁻⁶ or ±100×10 ⁻⁶ ※2 (Vc=0.5~4.5V)	±50×10 ⁻⁶ or ±100×10 ⁻⁶ ※2 (Vc=0.3~3.0V)
動作温度範囲 Operable temperature range	-40°C to +85°C	
保存温度範囲 Storage temperature	-40°C to +90°C	
経年変化 Aging	APR is tolerable with 20years aging	
電源電圧 Power supply voltage	V _{DD} = +5.0 V±5%	V _{DD} = +3.3V±5%
消費電流 Power supply current	15mA max.	
出力負荷 Output load	15pF±10%	
出力レベル Output level	V _{OH} : +0.9Vcc min. / V _{OL} : +0.1Vcc max.	
シンメトリ Output symmetry	40% to 60% (at +2.50V DC)	40% to 60% (at +1.65V DC)
立ち上がり / 立ち下がり時間 Rise time/Fall time	10ns max. / 10ns max.	
振動 Vibration	MIL-STD-883 Method 2007 IEC68-2-6 test Fc MIL-STD-202-Method 204	
衝撃 Shock	MIL-STD-883 Method 2002 IEC68-2-27 test Ea MIL-STD-202-Method 213	
耐湿性 Humidity	EIA / JESD22-A101	
重量 Weight	0.17gram	

● APR=Absolute Pull Range is the minimum guaranteed (voltage controlled) frequency shift ($\Delta f/f_{NOM}$) over all conditions (temperature, aging, power supply and load)

※1 33MHz to 80MHz are underdevelopment.

※2 For 100×10⁻⁶, ask our sales representative.

■外形寸法図 / Outline



■ランドパターン(参考) / Land Pattern(reference)

